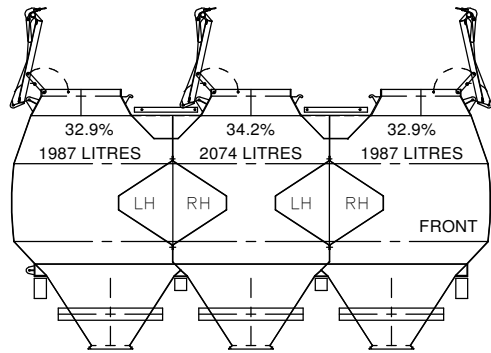
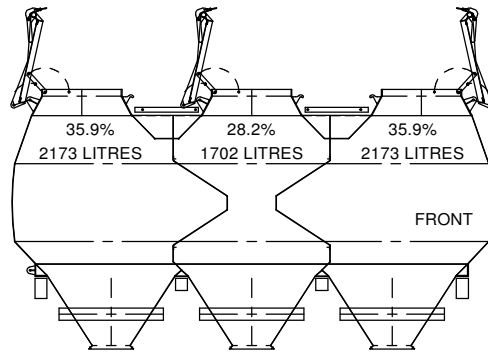


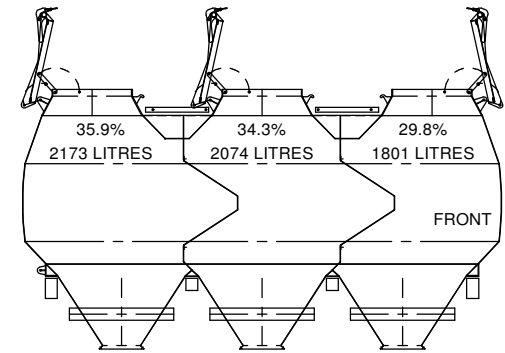
1	2	3	4	5	6	7	8	9	10	11	12		
REV.	ECN	DATE	BY	DESCRIPTION								DO NOT SCALE - IF IN DOUBT ASK	
01		17/04/2007	MT	Original Release Drawing									



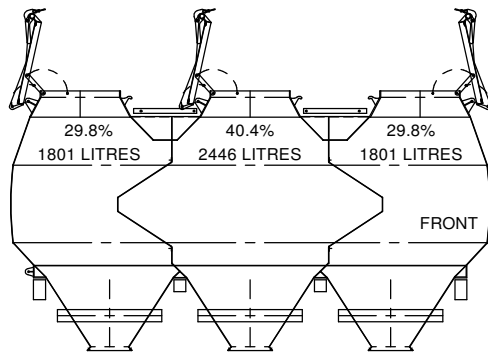
SPLIT 1



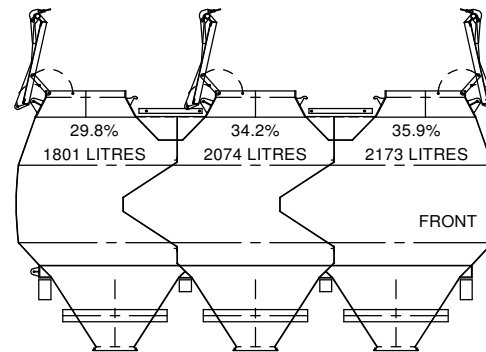
SPLIT 2



SPLIT 3



SPLIT 4



SPLIT 5

6000 Triple Bin

Total Usable Volume Given
a 25 Degree Angle of Repose is:
6049 Litres

Fabrication Note

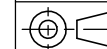
Finish:

General Tolerances

Linear Dimensions
 X ±1mm (whole numbers)
 X.X ±0.5mm (one decimal place)
 X.XX ±0.25mm (two decimal places)
Angular Dimensions
 All Angles ±2°

This drawing is the property of
Simplicity (Australia) Pty. Ltd.
It must not be used for any
purpose other than that for
which it is supplied.
Reproduction in whole or
part is prohibited without
written authority from
Simplicity (Australia) Pty. Ltd.

DRN: _____
 DATE: _____
 APPRD: _____
 DATE: / /
 SCALE: 1:45



SIMPLICITY (AUSTRALIA) PTY LTD
 18 LOUDOUN RD DALBY 4405 PH (07) 4662 2977 FAX (07) 4662 4955

DRAWING NUMBER		REV	SHEET	A4
6000 Triple Bin Split			1 OF 1	